

MODEL ARMLEY #2

Canal Road Station

First colour in your model. Use whatever colours you'd like!

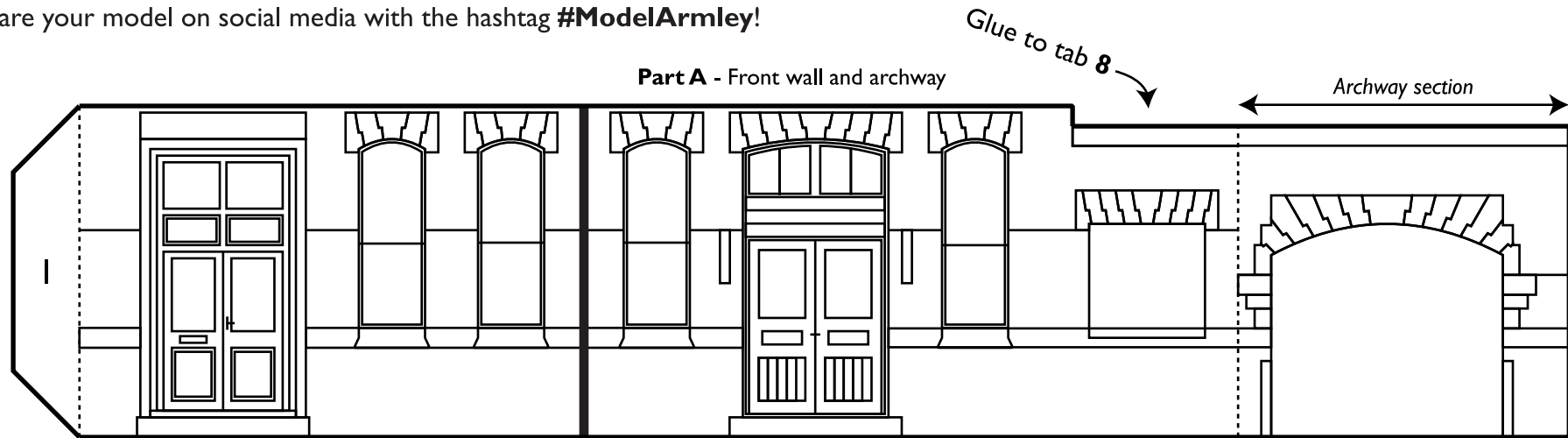
Then, following the instructions, cut out each part, folding and gluing together to assemble the model.

Then share your model on social media with the hashtag **#ModelArmley!**

Remember!

Cut along thick lines 

Fold along dashed lines 



Part B - Left side and back walls

Please share images of your work online with the hashtag:

#ModelArmley

We'd love to see your work!

Model Armley was made by Chris Bennigsen and commissioned by Assembly House with support from Leeds City Council and Arts Council England.

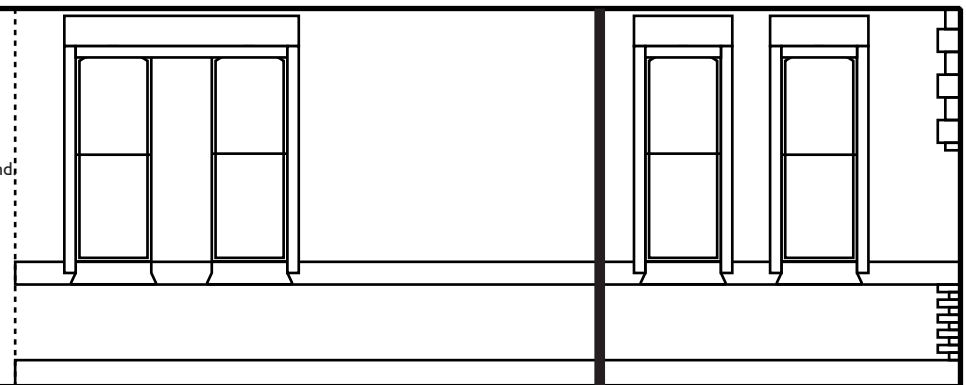
chris
bennigsen

ASSEMBLY HOUSE
STUDIOS & PROJECTSPACE

ARTS COUNCIL
ENGLAND

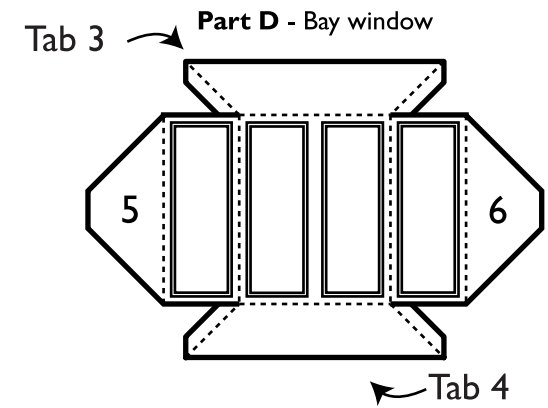
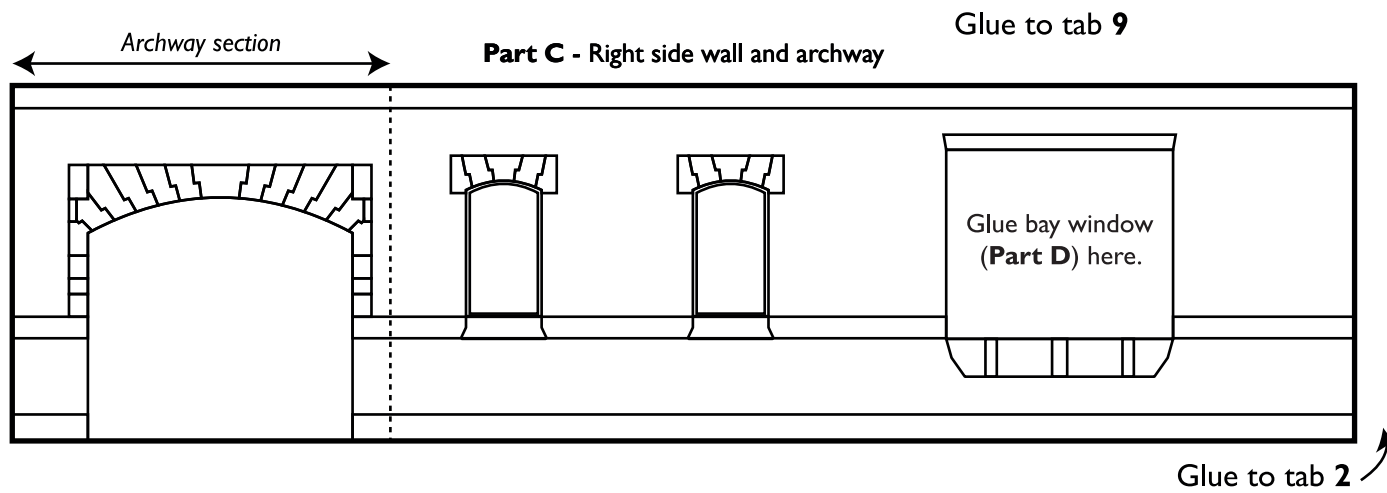
Supported using public funding by
ARTS COUNCIL
ENGLAND

Leeds
CITY COUNCIL

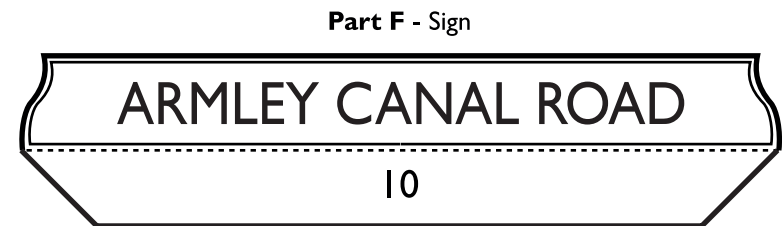
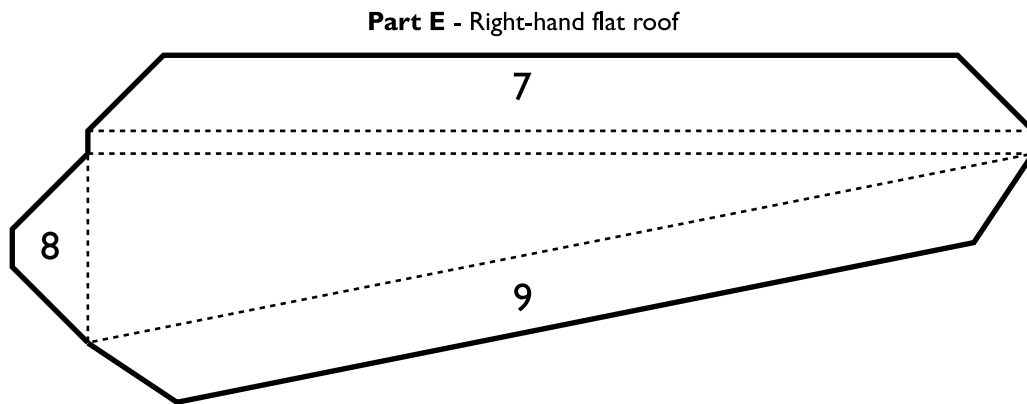


Cut and fold **Parts A** and **B**, gluing tab **1** to **Part B** as indicated.

Glue to tab 1

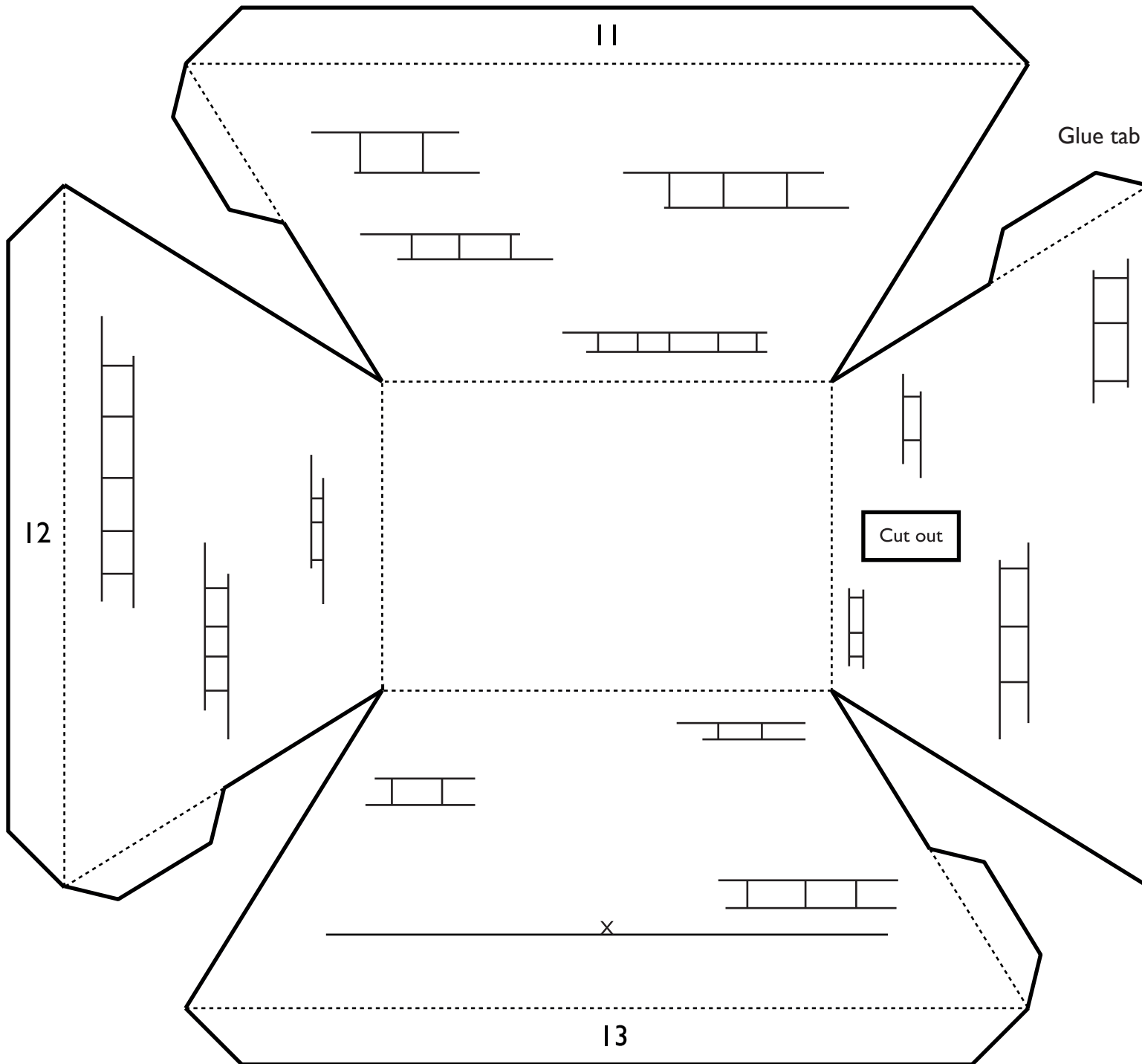


Cut and fold **Parts C** and **D**. Glue the small tabs on **3** and **4** to make the bay window and then fold back tabs **5** and **6** on themselves and attach **Part D** to **Part C** as indicated. Attach **Part C** to tab **2** as indicated and then glue both *Archway Sections* (on both **Part A** and **C**) to each other to the archway is double-sided.

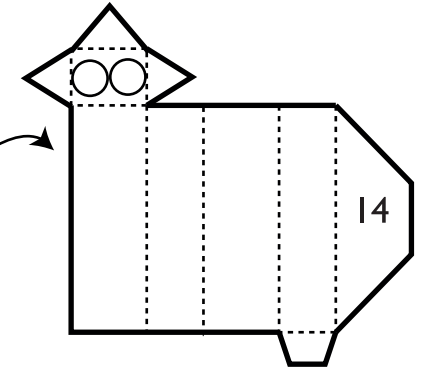


Cut and fold **Part E** and glue tabs **8** and **9** to **Parts A** and **C** as indicated. Cut and fold **Part F** and leave to one side for the moment.

Part G - Roof



Part H - Chimney



Glue tab 14 here →

← Glue tab 7 here

Cut and fold **Part G**. One by one, glue each of the side tabs to each side of the roof.

Then, cut and fold **Part H**. Use the small tabs glue the top down and glue tab **14** to as indicated.

Now glue the assembled roof to tab **7** before gluing tabs **11**, **12** and **13** to the insides of each wall the assembled building

Finally, glue tab **10** on **Part F** to the line marked **X** on **Part G**. Your model is now finished!